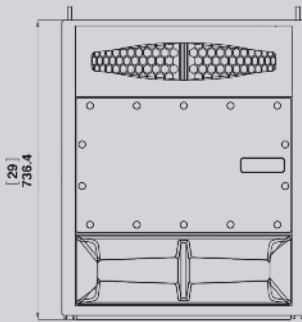
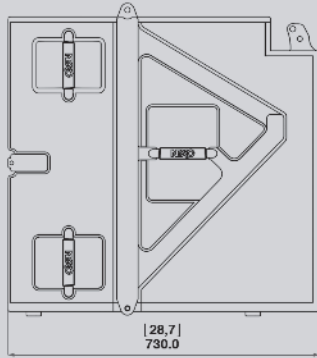


STM S118 Sub Module

NEXO

STM Scale Through Modularity



Key Features

- 1 x 18 inch LF Driver
- 143dB peak SPL
- Frequency response: 25Hz-85Hz
- H700mm/W575mm/D715mm
- 85Kg/187lb
- Omni or cardioid modes

System Applications

- Part of a modular, mobile sound system for applications ranging in size from small corporate events to large stadium concerts and festivals

NEXO
www.nexo.fr



Sub-bass cabinet featuring a Neodymium high excursion 3000W 18" driver. A bandpass load ensures SPL output equivalent to conventional dual 18" sub-basses. Same width, double the height of M46 main cabinet, double height of main cabinet so the S118 can be flown in the array or ground-stacked in line. Can be run in omnidirectional or cardioid sub mode.

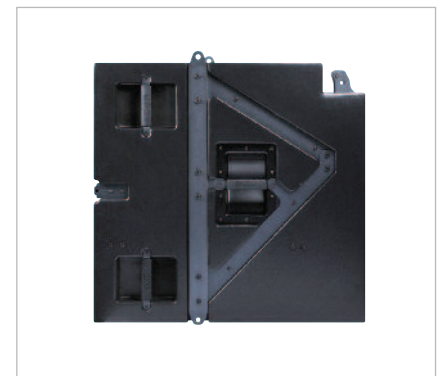
From a simple groundstack to a compact, powerful line array, STM makes it quick and easy to 'clip together' the systems you need for any job.

Configuration possibilities include Main cabinets only, Main + Bass, Main + Sub, Main + Bass + Sub. The wide operating frequency range of the M46 main cabinets means that many speech or light music events can be run effectively with M46 alone, thereby removing the need for any extra cabinets. If programme material calls for low frequency extension, the 25-120Hz range of the S118 sub and the 55-200Hz range of the B112 bass offer the user complete freedom when configuring the system to achieve the desired frequency response or power.

Of course increased versatility brings a welcome improvement in return on investment. But with STM, that's just the start. From system storage and configuration, through transportation and rigging, to wiring and amplification, STM delivers important operational and logistical cost savings at every stage of the process.



Innovative PistonRig™ and REDLock™ rigging enables any size of system to be flown safely by one person. PistonRig™ allows pre-setting of inter-cabinet angle values. REDLock™ handle locks front rigging points from rear of cabinet. All adjustments made from one position at rear of cluster.



STM S118 Sub Module

NEXO

STM  Scale
Through
Modularity



NEXO is one of the world's leading sound reinforcement loudspeaker manufacturers. Founded in 1979, the company is dedicated to crafting practical solutions with solid engineering. Each new design begins with a proprietary sophisticated computer simulation process that allows every parameter to be extensively modeled and simulated, leading to breakthrough cost and performance gains. NEXO's comprehensive product line includes loudspeakers, analogue and digital control electronics and amplification; all designed to deliver consistent sound quality and long term reliability for a broad range of applications.

NEXO S.A.
Parc d'Activité
du Pré de la Dame Jeanne
B.P. 5
60128 PLAILLY
Tel: +33 (0) 3 44 99 00 70
Fax: +33 (0) 3 44 99 00 30
e-mail: info@nexo.fr

NEXO LatAm
Tel: +54 114 432 1911
Fax: +54 114 431 1007
e-mail: info@nexo.fr

NEXO Asia
GPO Box 806
Hong Kong
SAR China
Tel: +852 9096 3472
Fax: +852 2104 3214
e-mail: info@nexo.fr

NEXO
www.nexo.fr

STM S118 with NXAMP 4x4

Frequency Response [a]	27Hz – 85Hz \pm 3dB
Usable Range @-6dB [a]	23Hz – 100Hz
Sensitivity 1W @ 1m [b]	109dB SPL Nominal
Nominal Peak SPL @ 1m [b]	143dB Peak
Nominal Impedance	16 Ω (12 Ω min)
Amplified Controller	NXAMP4x4 - 3xSTM S118 in parallel on 2 NXAMP4x4 bridged channels - 8000W/4 Ω

PRODUCT FEATURES

Components :	LF: 1 x 18" (46cm) 3000W high excursion Neodymium 16 Ohms driver.
Height x Width x Depth	700 x 575 x 715 mm – 27.56" x 22.64" x 28.15"
Weight : Net	85kg – 187lbs
Connectors	2 x NLT4-MDV Speakon 4 poles (in/out)
Construction	Baltic birch ply finished with structured black coating
Fittings:	Handles 6 handles (3 per side)
	Front Perforated Dark Grey Metal Grille
	Rigging Integral 3 points flying and locking system.

SYSTEM OPERATION

Electronic Controller	The NEXO NXAMP4x4 presets are precisely matched to the STM Series cabinets and include sophisticated protection algorithms. Using STM Series cabinets without a properly connected NEXO NXAMP4x4 will result in poor sound quality and can damage components.
Speaker Cabling	1-/1+: SUB - 2-/2+: LF

As part of a policy of continual improvement, NEXO reserves the right to change specifications without notice.

[a] Response curves & data : Half-Space Far Field for the STM S118 & B112 + NXAMP4x4.

[b] Sensitivity & Peak SPL data : these will depend on spectral distribution and crest factor of program material. Measured with band limited Pink Noise. Data are for speaker + amplified controller. Peak SPL is at clipping of NXAMP4x4.

[c] Directivity curves & data : obtained by computer treatment on off axis response curves.

E&OE January 2012.

LIMITED WARRANTY

NEXO loudspeakers and electronics are covered against defects in workmanship or materials for a period of two (2) years from the original date of purchase. At the option of NEXO the defective item will be repaired/replaced with no charge for materials/labour. The item is to be adequately packaged and dispatched, pre-paid, to a NEXO authorised distributor/service centre. Unauthorised repair shall void the warranty. The NEXO warranty does not cover cosmetics or finish and does not apply to any items which in NEXO's opinion have failed due to used abuse, accidents, modifications or any type of misuse. All images and text herein are the property of NEXO SA, and deemed accurate, although specifications are subject to change without notice.